

Cylindrical Piston Meter Composite MODULARIS RTK-HYX



Fig. Dial RTK-HYX

Our WEHRLE Cylindrical Piston Meter Composite MODULARIS for cold water is extremely versatile. High-precision measuring accuracy combined with utmost technical quality standards result in an astonishingly long-term persistence.

- Ready for integration into any AMR system
- Temperature range up to 30 °C
- Nominal flow rate Q_3 2,5 up to Q_3 4
- Nominal size DN15 up to DN20
- Length 105 mm up to 190 mm
- MID measurement accuracy class (Q_3/Q_1) up to R800 irrespective
- EN ISO 3822-1 : 1999 Noise Acoustic Group I
- 360° rotatable 8-digit totalizer
- Composite meter body with optimized stability of thread contour
- Maximum pressure load 1,6 MPa

Cylindrical Piston Meter Composite MODULARIS RTK-HYX

REMOTE READING OPTIONS (AMR)

Modularis Pulse Generator, S0, DIN 43864
 alternatively with

- 1 Litre per pulse
- 10 Litres per pulse
- 100 Litres per pulse

Modularis M-Bus module
 according to EN 1434-3

Modularis Radio module, frequency range
 433 MHz or 868 MHz (OMS)



Maximum convenience through AMR walk-by / drive-by solution

- Recording and storage of consumption data inside the radio module
- Reading of stored data via mobile reading device
- Access to building no longer necessary



Retrofitting with Modularis Radio module

- 868 MHz OMS-conformity (Open Metering Standard) or 433 MHz (wider reception and transmission range)
- Uni- or bidirectional transmission procedure
- Individually parameterizable
- Data recording via walk-by / drive-by
- Consumption data permanently stored
- Battery lifetime of up to 12 years
- Detection of rotation direction
- Manipulation detection
- International protection code IP68

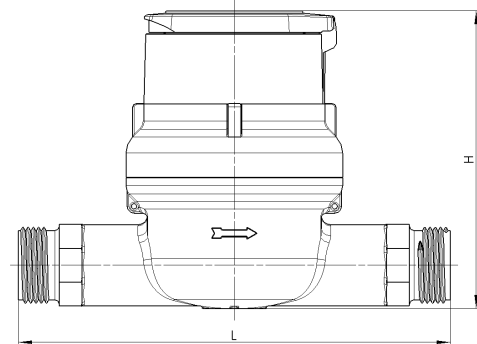


Cylindrical Piston Meter Composite MODULARIS RTK-HYX

TECHNICAL DATA

Model

RTK-HYX = Cold water from +0,1 °C up to +30 °C



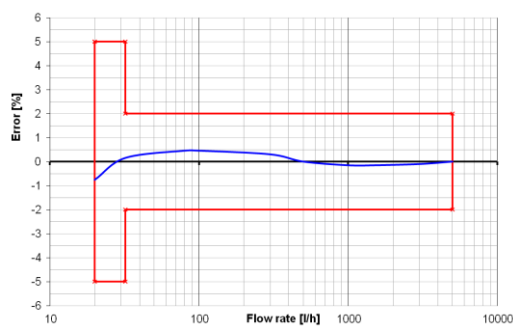
Installation position	Length* L in mm	Height H in mm (ca.)	Nominal flow Q ₃ in m ³ /h	Nominal width DN in mm	Thread in inch	Starting flow** in l/h	Flow rate Q' at 1 bar pressure loss in l/h (ca.)	Weight in kg (ca.)
irrespective	105	143	2,5	20	G 1 B	< 2	5100	0,5
	105	143	4	20	G 1 B	< 2	5100	0,5
	110	143	2,5	15	G ¾ B	< 2	5100	0,5
	115	143	2,5	15	G 7/8 - ¾ B	< 2	5100	0,5
	115	143	2,5	15	G ¾ B	< 2	5100	0,5
	165	143	2,5	15	G ¾ B	< 2	5100	0,55
	170	143	2,5	15	G ¾ B	< 2	5100	0,55
	190	143	2,5	20	G 1 B	< 2	6400	0,59
	190	143	4	20	G 1 B	< 2	6400	0,59

* Additional lengths available on request

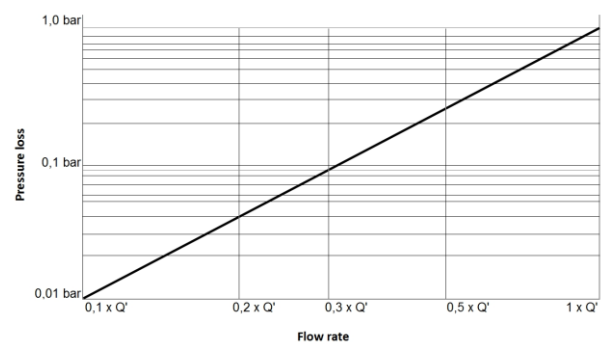
** Typical values

Subject to errors and alterations.

Typical error curve Q₃ 4 R200H



Typical pressure loss graph



Cylindrical Piston Meter Composite MODULARIS RTK-HYX

APPROVALS / CERTIFICATES

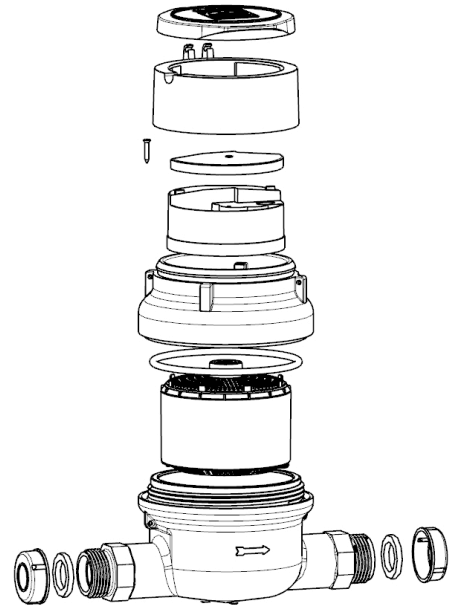
EC-Type Examination Certificate 2004/22/EC (MID)
according to

- OIML R49-1 (2006)
- OIML R49-2 (2004)
- DIN EN 14154-1
- DIN EN 14154-2
- DIN EN 14154-3

KTW, W270 (D)

ACS (F)

Noise Acoustic Group I
according to EN ISO 3822 -1 : 1999



ADDITIONAL OPTIONS

- Individual labelling of totalizer and/or protection cover (on customer request)
- Cover with lower height → Abb. ①
- Transparent cover with viewing window for litre pointer → Abb. ②
- Insert back-flow preventer
- Individual customer serial number (max. 14 figures)



Abb. ①



Abb. ②