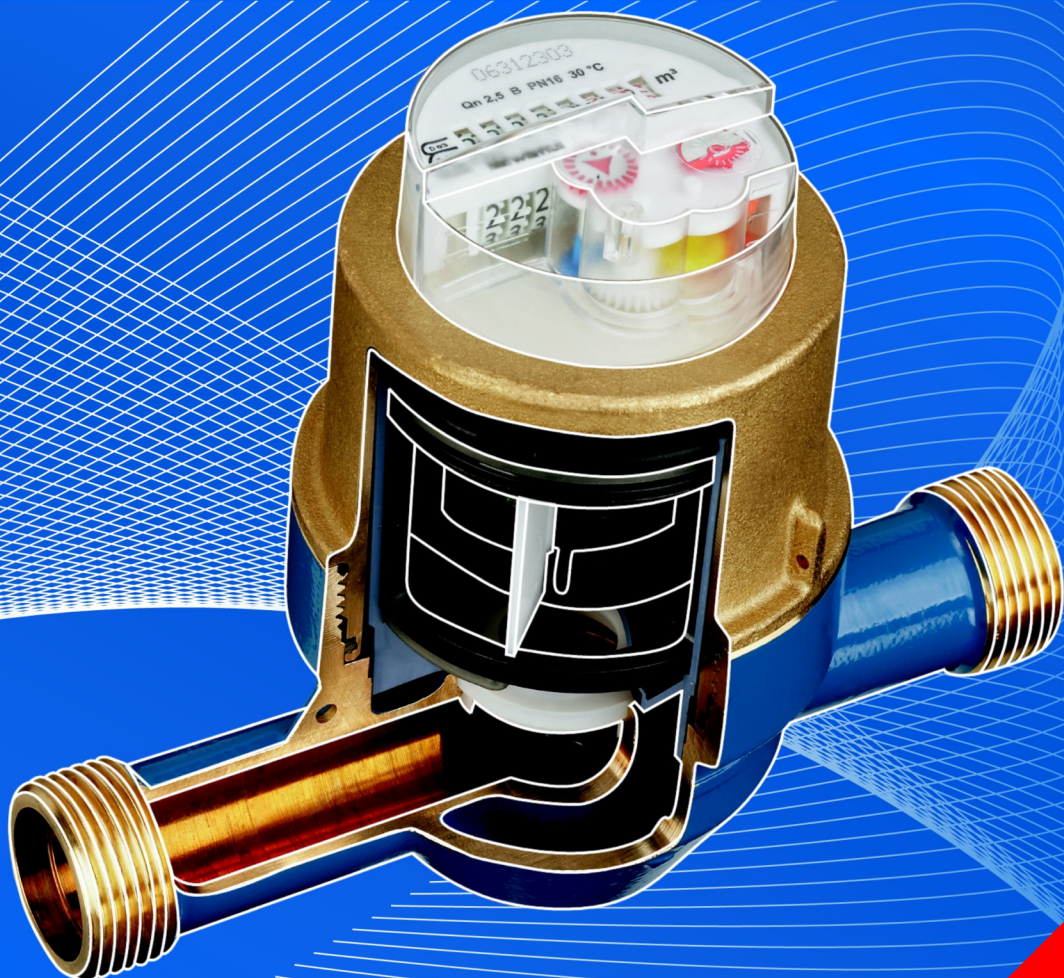


WATER METERS

Cylindrical piston meter

- For cold water
- Nominal flow 1.5 - 2.5 m³/h
- Cartridge housing for fitting in horizontal and ascending piping
- Can be retrofitted later with Modularis remote reading modules



CYLINDRICAL PISTON METERS FROM WEHRLE RECORD EVEN THE SMALLEST AMOUNTS OF WATER



Cylindrical piston meters from Wehrle convince through their efficiency, absolutely dependable processing quality and reliability.

The WEHRLE cylindrical piston meters are available in the metrological classes B (R80) or C (R160). The low start of 2 litres/h guarantees the recording of the smallest amounts of water.

The maximum pressure load is 1,6 MPa.

The cylindrical piston meters are optimatically prepared for modern meter communication by normally being equipped with Modularis totalizers. Using these intelligent solutions, integration into any remote reading system is not only simple but they can also be retrofitted at any time.

Can be retrofitted with the following electronic modules:

- Modularis pulse generator, S0 DIN 43864 or reed-compatible
- Modularis M-Bus according to EN 1434-3
- Modularis radio-controlled, frequency 868 MHz or 433 MHz

The cartridge housing is available for fitting both in horizontal and in ascending piping.

Once the calibration period has expired, only the cartridge will need to be replaced.

The meter housing can be equipped with a backflow preventer.

Totalizers and protective covers can be labelled individually as the customer desires.

Cylindrical piston meters meet all demands of the PTB (Federal Physicotechnical Institution) as well as EU regulations. Numerous international approvals have been granted.

Naturally, our cylindrical piston cartridges are also available separately.

- ① Protective cover
- ② Cartridge screw fitting
- ③ Cylindrical piston insert (cartridge)
- ④ Cartridge housing

VARIATIONS



Horizontal cylindrical piston meter RTK-HPX

HORIZONTAL PISTON METER

- Metrological class B (R80) or C (R 160)
- Totalizer protected by separate wet and dry areas
- Pivotal Modularis 8-digit roller totalizer
- Resolution 1 litre
- Long working life thanks to the use of top-quality materials
- Individual labelling at customer's request
- The new cylindrical piston measuring cartridge can easily be inserted in horizontal cartridge housings already in use



Ascending piping cylindrical piston meter RTK-SPX

ASCENDING PIPING PISTON METER

- Technical data same as RTK-HPX
- The conventional impeller wheel ascending piping meters in a vertical piping can easily be replaced with the new cylindrical piston ascending piping meter.
- The new cylindrical piston measuring cartridge can easily be inserted into the ascending piping cartridge housing currently in use



Cylindrical piston meter cartridge RTK-OPX

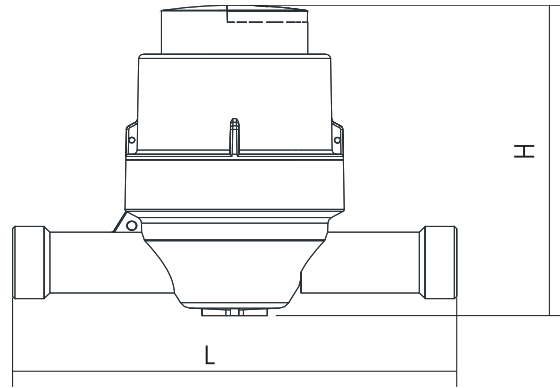
PISTON METER CARTRIDGE

- Cartridge for replacement for horizontal and ascending piping cartridge housings
- Technical data same as RTK-HPX
- Cartridge is calibrated when delivered

TECHNICAL DATA

PRODUCT DESCRIPTION

- RTK -... = Cylindrical piston meter
- ...-HPX = Standard cylindrical piston meter
- ...-SPX = Ascending piping meter
- ...-OPX = Cartridge

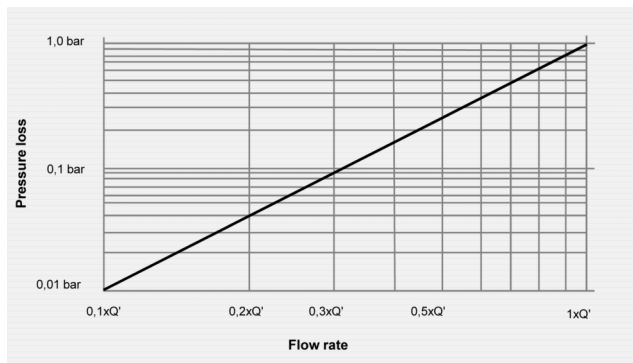


Dimensioned drawings of the meter

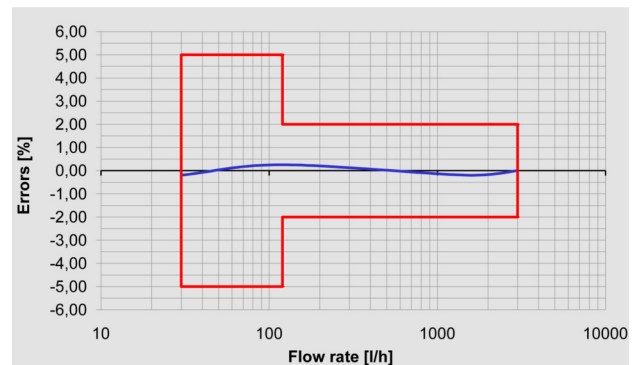
Overall length L [mm]	165	170	190	105 ascending piping
Nominal flow Q3 [MID]	2,5	2,5	4	4
Nominal flow Qn [EWG]	1,5	1,5	2,5	2,5
Nominal width [mm]	15	15	20	20
Start about [l/h] **	2	2	2	2
Flow Q' at 1 bar pressure loss [l/h]	4490	4490	5000	5000
Connecting thread	3/4"	3/4"	1"	1"
Height H about [mm]	140	140	140	140
Weight about [Kg]	1,6	1,6	1,8	2,1
Achievable metrological class:				
RTK [EWG]	C-H/C-V	C-H/C-V	C-H/C-V	C-H/C-V
RTK [MID]	R160H/R160V	R160H/R160V	R250H/R250V	R250H

*Additional overall lengths and metrological classes on request

** Typical values



Pressure loss graph



Typical accuracy curve Qn 1,5 class B